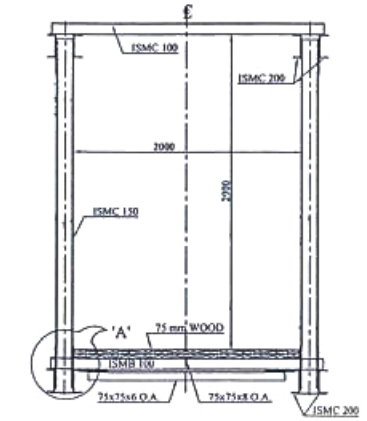
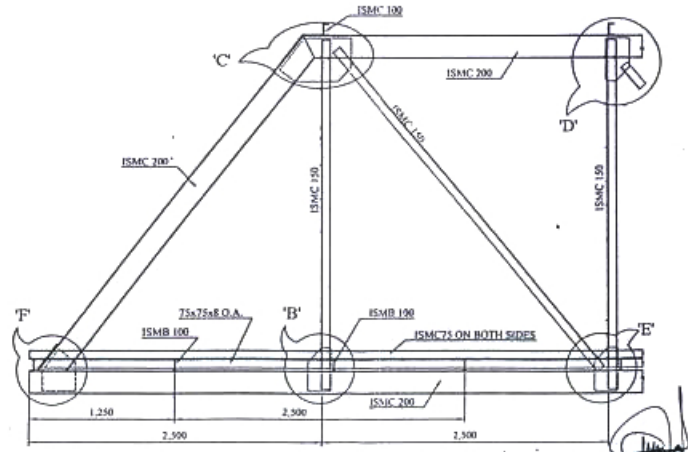


CONNECTION DETAILS OF
BOTTOM CHORDS



TRANSV. SECTION THROUGH VERTICAL MEMBERS



FOR TENDER PURPOSE

District Engineer
ZILLA PARISHAD 24 PGS. (S)
P & R.D., Deptt., Govt. of W.B.

MAIN PARTICULARS

LENGTH	30.00 M
BREADTH (INSIDE)	02.00 M
DEPTH	02.90 M

Only for DPR Purpose

Rev.	Modifications	Drawn	Date
PROJECT: FLOATING GANGWAY CUM PONTOON JETTY AT RAIPUR IN THE DIST. OF SOUTH 24 PARGANAS			
CLIENT: SOUTH 24 PARGANAS ZILLA PARISHAD			
TITLE: CONSTRUCTION DETAILS FOR 30M GANGWAY		DRAWN	KOUSIK
		CHECKED	T. CHANDA
		APPROVED	
ISSUED TO	NAME	DT.	
1:75, 1:30, 1:25	1 OF 1		
SCALE	SHEET NO.	YARO NO.	REV.
DRG. NO.:GPI/			/01